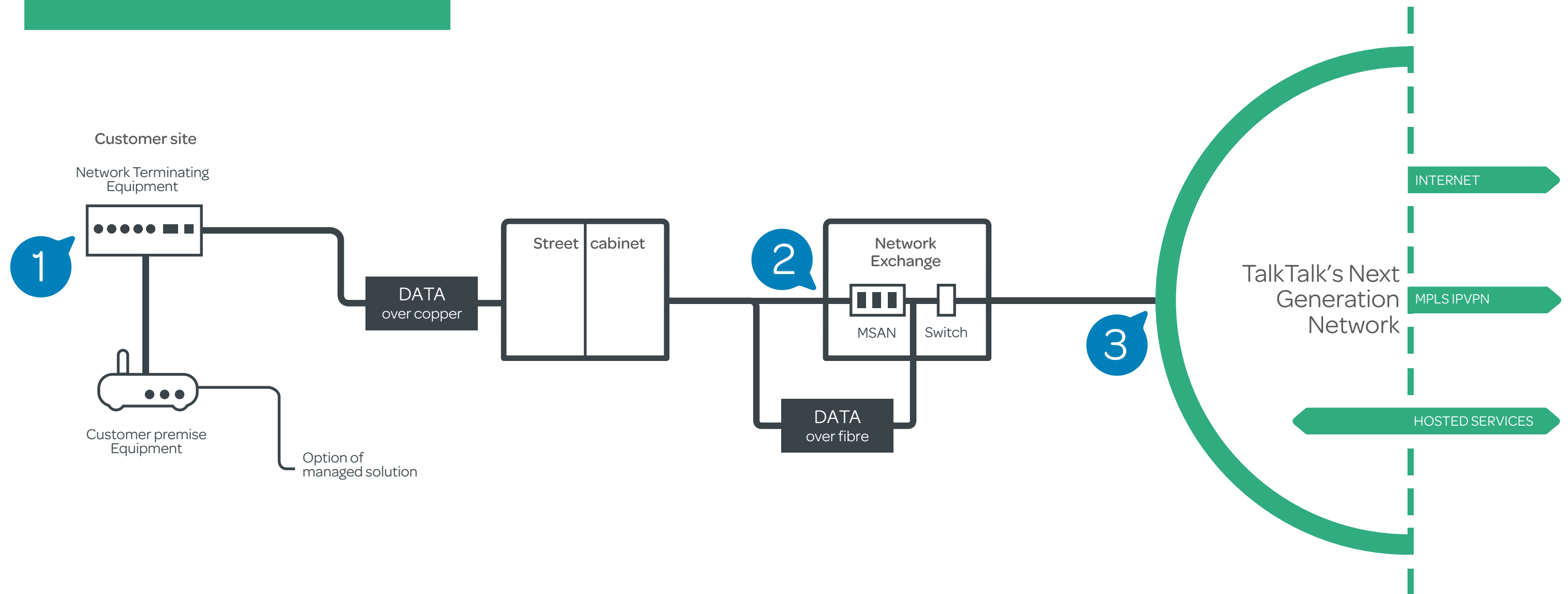


## Ethernet over Fibre to the Cabinet



1

### Customer site

Speeds of up to 20Mbps symmetrical, boostable to 80Mbps downstream at no extra cost.

2

### Exchange connection

The length of copper used is reduced by only going to the street cabinet. A shared 1Gb connection to the exchange with guaranteed minimum speeds.

3

### Connect to the network

The exchange is connected to TalkTalk's NGN allowing you to choose the circuit to be delivered either as an Internet Access circuit or as part of an MPLS IPVPN solution.

**Call our business experts today on 0808 274 0707**

[talktalkbusiness.co.uk/eofttc](http://talktalkbusiness.co.uk/eofttc)